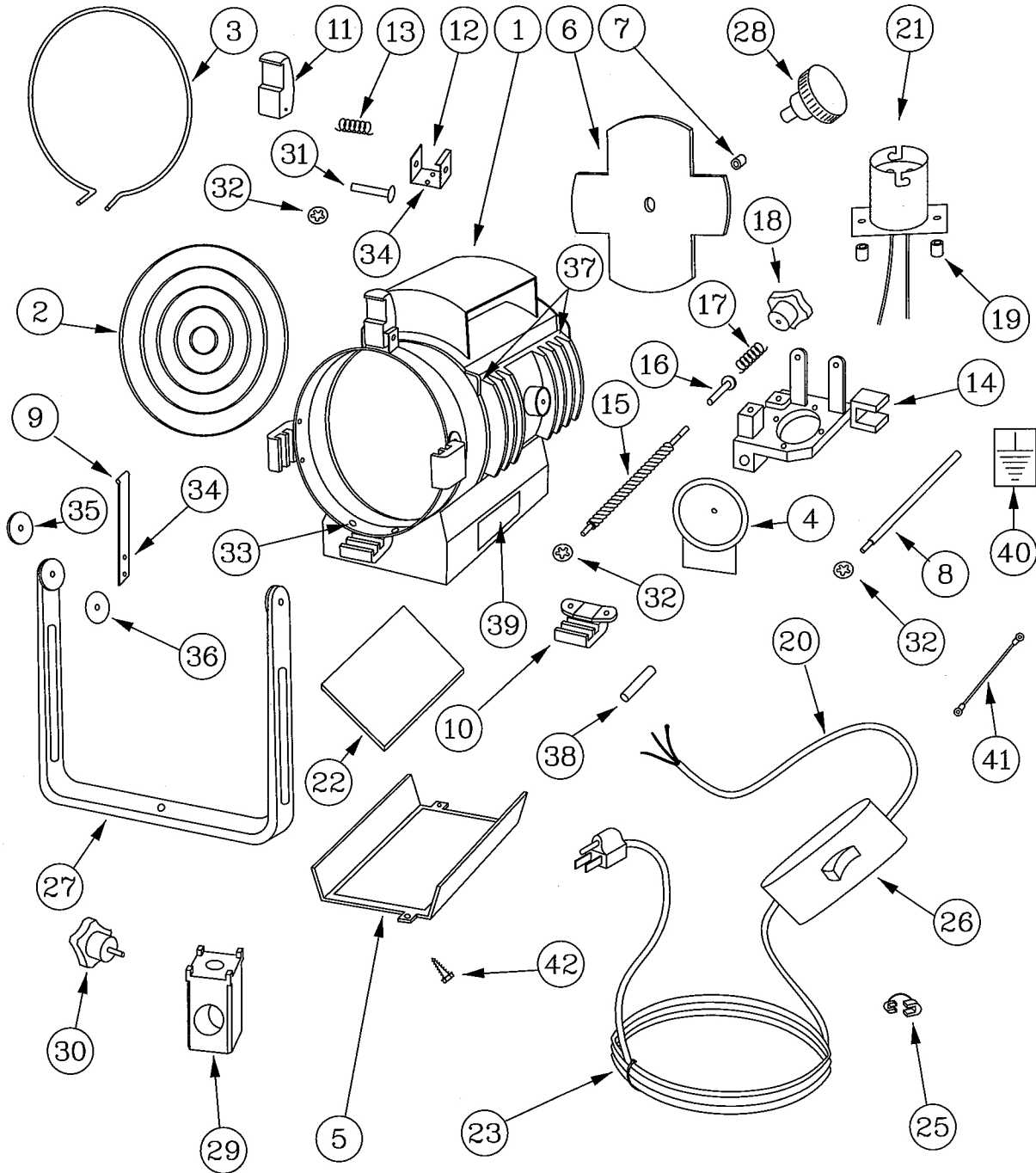




LTM CORPORATION OF AMERICA

PEPPER 100 REF. 154B



REP	REF. CODE	Qty	DESIGNATION	PRICE
1	S1125 01	1	HOUSING	83.18
2	602128	1	FRESNEL LENS ø 50	20.85
3	S1125 02	1	RETAINING RING	6.48
4	S940	1	REFLECTOR	17.98
5	S11 25 03	1	BOTTOM PLATE	13.47
6	S11 25 04	1	BACK PLATE	13.47
7	S11 25 05	1	BLOCKING PIECE	2.24
8	S11 25 08	1	GUIDE ROD	6.00
9	S11 25 07	1	CLOSING SPRING, LID	4.48
10	S 1121-01	3	FILTER BRACKET, FIXED	8.24
11	S 1121-02	1	FILTER BRACKET, HINGED	11.53
12	S 1121-03	1	FILTER BRACKET SUPPORT, HINGED	14.40
13	S 226 03	1	SPRING, FILTER HOLDER	1.87
14	S 11 25 10	1	CHARRIOT	23.21
15	S 11 25 11	1	ADJUSTING SCREW	28.09
16	S 981	1	BLOCKING PIECE, ADJUSTING SCREW	4.48
17	S 226 03	1	SPRING, ADJUSTING SCREW	1.87
18	602 302	1	FOCUS KNOB	4.48
19	165C302	2	SOCKET SPACER COMPLETE	1.95
20	605280C	1	15" SILICON CABLE TO SWITCH	3.90
21	2225	1	SOCKET	2.90
22	S112506	1	BOTTOM INSULATOR	7.50
23	606 629	1	CABLE WITH MOLDED PLUG	8.10
25	5L-1	1	HEYCO CABLE BLOCKER	0.55
26	5410	1	SWITCH LEVITON	4.00
27	S 11 25 12	1	YOKE	31.46
28	602 243	3	YOKE KNOB / BACK KNOB	9.36
29	S 393	1	YOKE FOOT	20.60
30	602279	1	STANDYOKEFOOTKNOB	10.50
31	918030	1	FILTER HOLDER AXEL	1.00
32	MISC	3	STAR LOCK NUT ø 3	0.75
33	MISC	6	POP RIVET GMAD34A 1mmx10mm	0.20
34	MISC	4	POP RIVET GMAD32A 1mmx5mm	0.20
35	5804342	2	FRICTION SPRING WASHER	0.15
36	S11 25 13	2	FRICTION DISK	0.15
37	604472	2	HINGE PIN LID	0.10
38	900005	2	CRIMP SPLICE	1.35
39	154B101	2	PEPPER 100 LABELS	3.90
40	S338	1	GROUND LABEL	1.87
41	S1243	1	GROUND STRAP	5.84
42	MISC	2	#3 PHILLIPS HEAD SHEET METAL SCREW	0.50